

# STANDARD OVERLAY

Standard Base and Tall Cabinet Depth: 24"

Standard Wall Cabinet Depth: 12"

Veneered Plywood Case: 1/2" Sides, 1/4" Back, 1/2" Bottom

3/4" Thick Face Frame

- Base: 1 1/2" Stiles & Rails
- Wall & Tall: 1 1/2" Stiles & Bottom Rail, 2" Top Rail

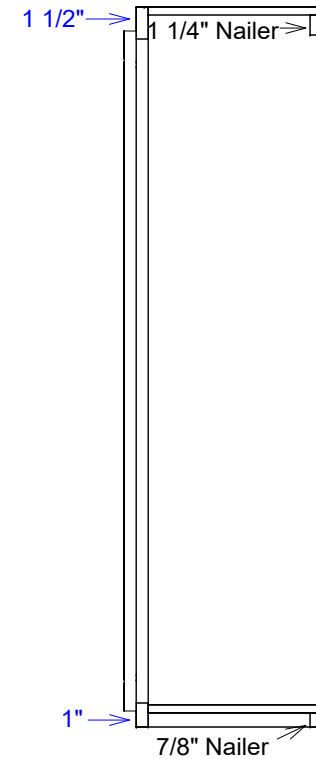
Dovetailed Solid Maple Drawer Box: 5/8" Sides, 1/2" Bottom

Soft Close Doors and Drawers

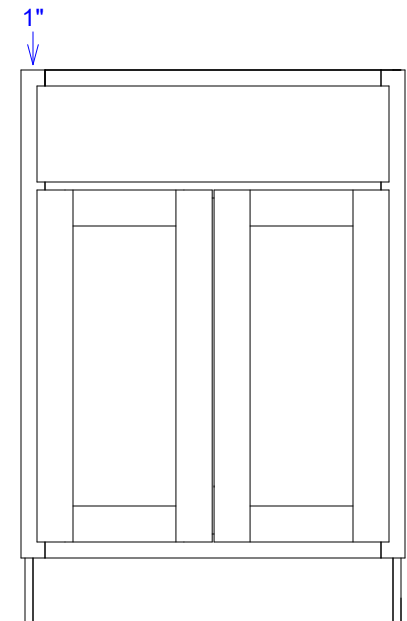
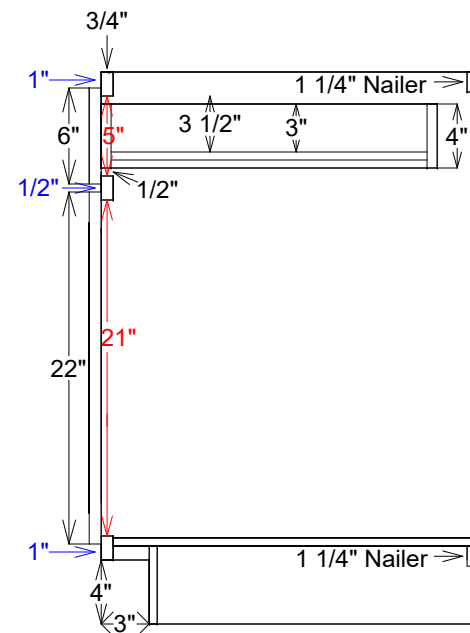
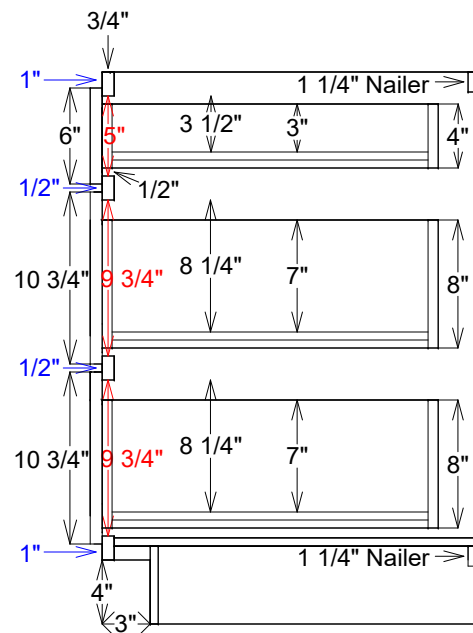
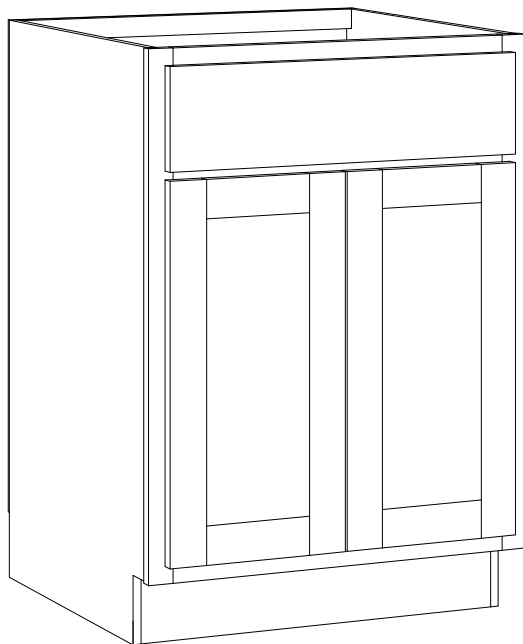
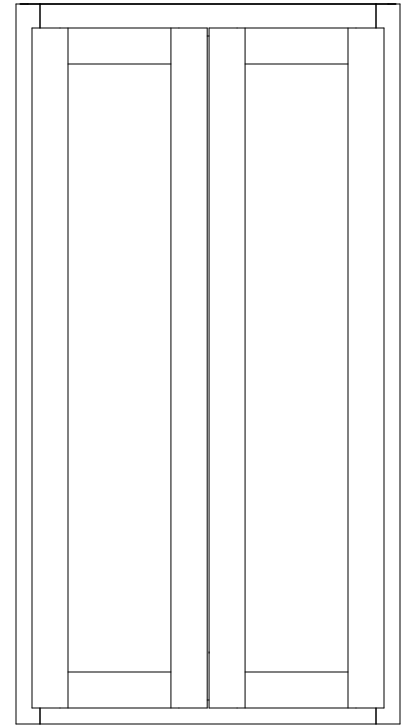
Adjustable Shelves

All stile and rail widths can be adjusted as necessary

Stile widths may vary per cabinet hinging and location



(Openings) (Reveals)



# FULL OVERLAY

Standard Base and Tall Cabinet Depth: 24"

Standard Wall Cabinet Depth: 12"

Veneered Plywood Case: 1/2" Sides, 1/4" Back, 1/2" Bottom

3/4" Thick Face Frame

- Base: 1" or 1 1/2" Stiles, 1 1/2" Rails
- Wall & Tall: 1" or 1 1/2" Stiles, 1 1/2" Bottom Rail, 2" Top Rail

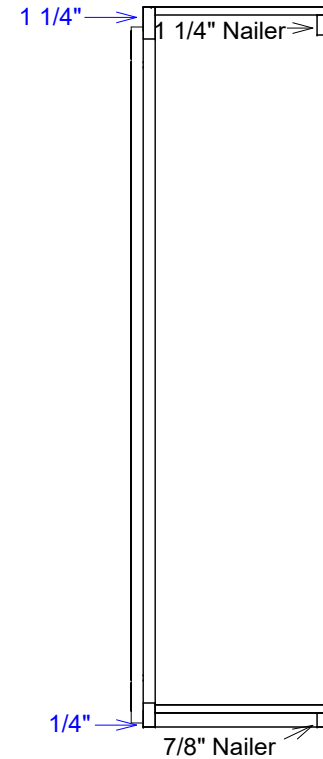
Dovetailed Solid Maple Drawer Box: 5/8" Sides, 1/2" Bottom

Soft Close Doors and Drawers

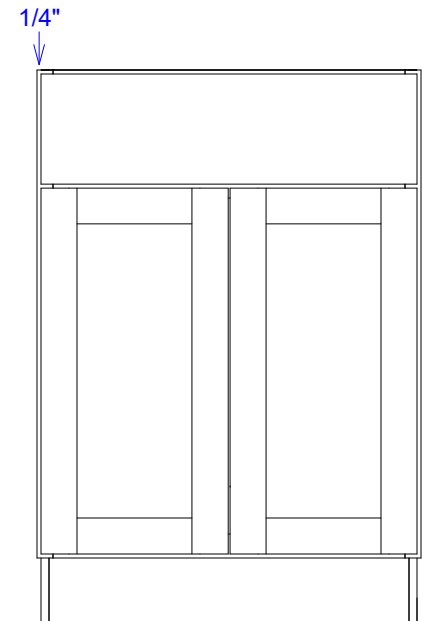
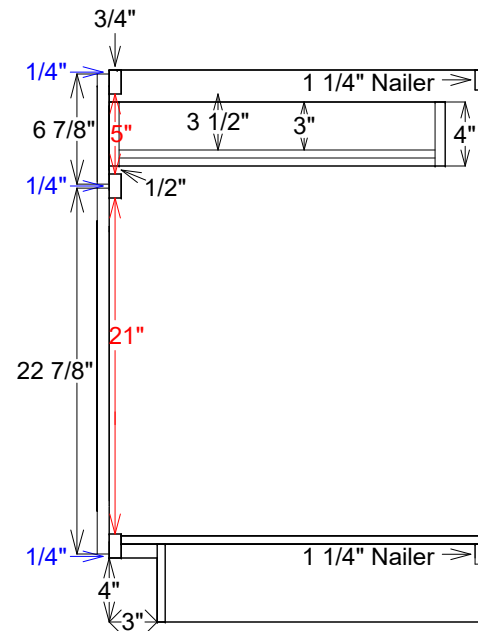
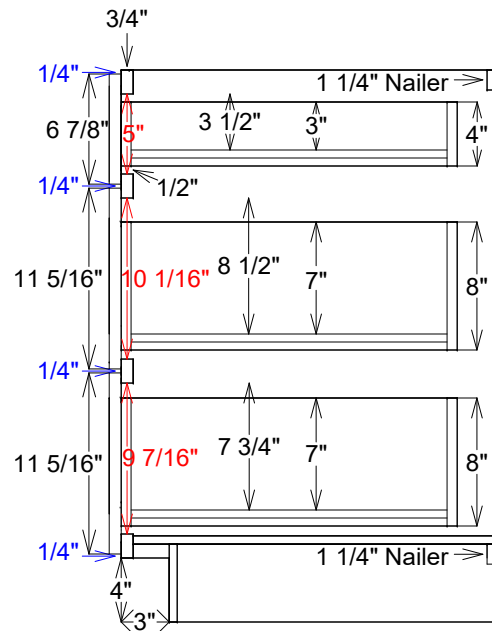
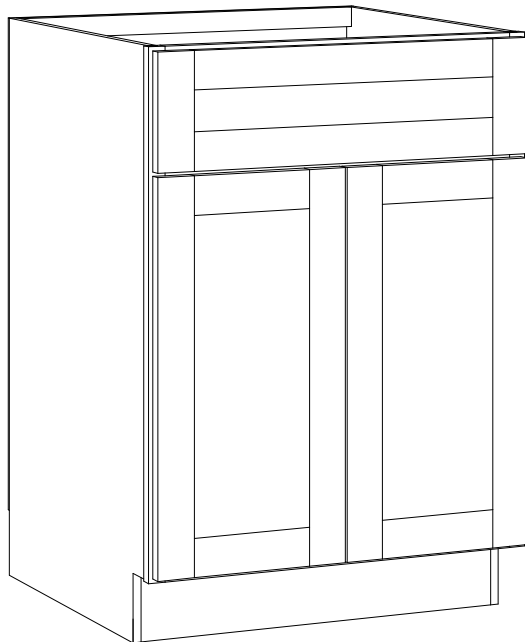
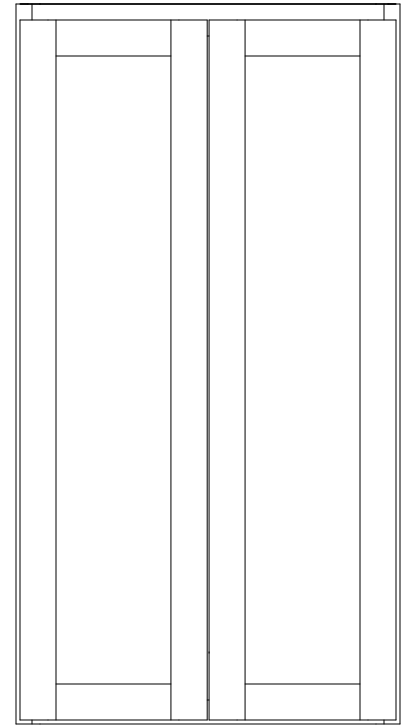
Adjustable Shelves

All stile and rail widths can be adjusted as necessary

Stile widths may vary per cabinet hinging and location



(Openings) (Reveals)



# FULL & BEADED FULL INSET

Standard Base and Tall Cabinet Depth: 24"

Standard Wall Cabinet Depth: 12"

Veneered Plywood Case: 1/2" Sides, 1/4" Back, 1/2" Bottom

3/4" Thick Face Frame

- Base: 1 1/2" Stiles & Rails
- Wall & Tall: 1 1/2" Stiles & Bottom Rail, 2 1/2" Top Rail

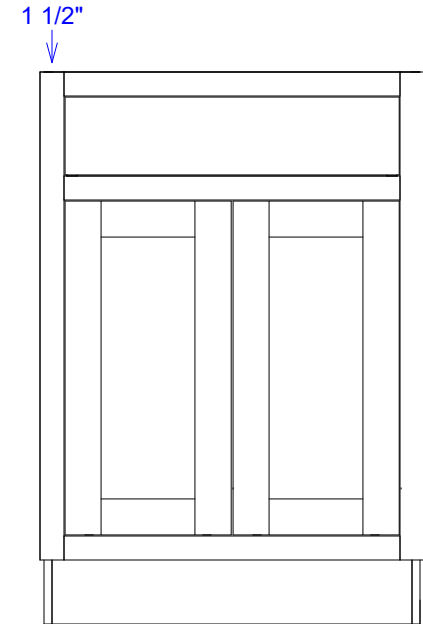
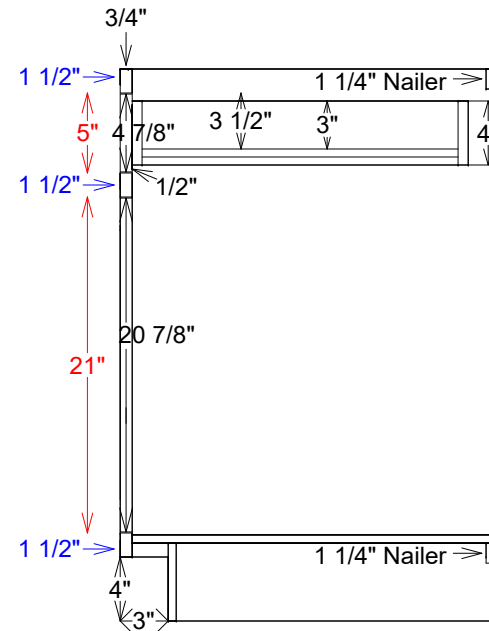
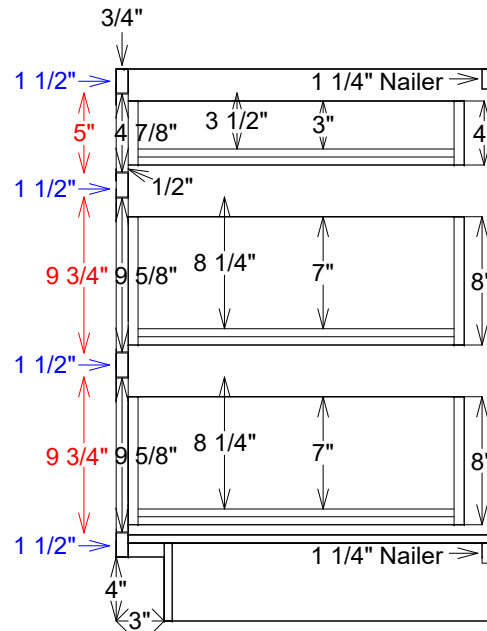
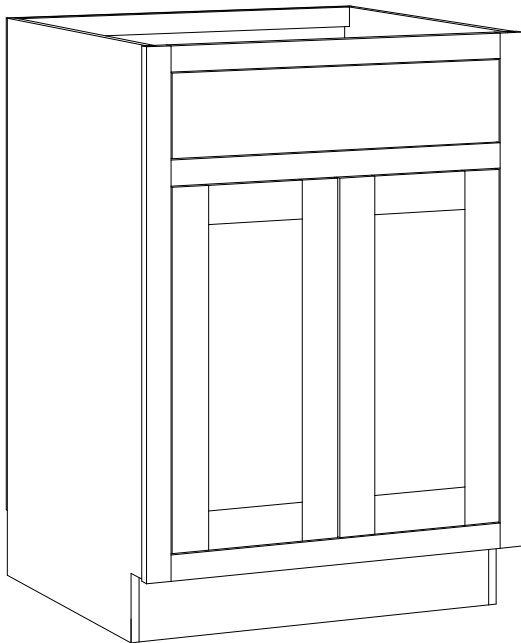
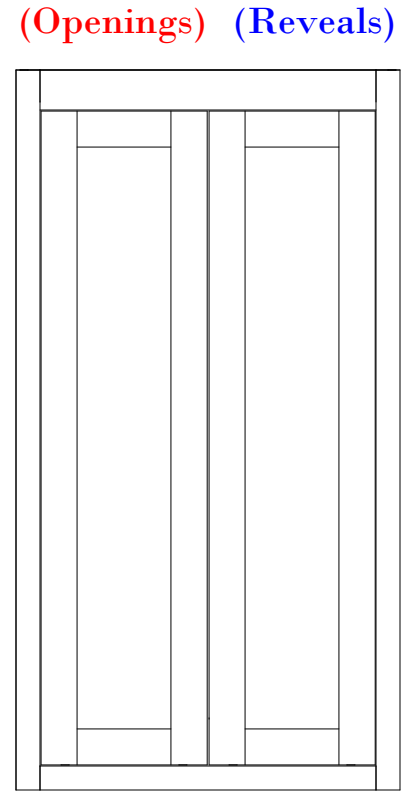
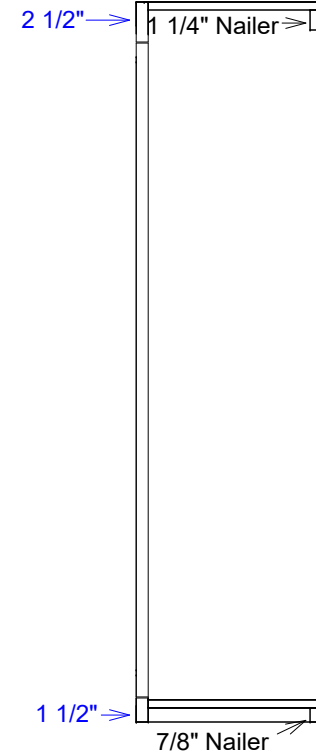
Dovetailed Solid Maple Drawer Box: 5/8" Sides, 1/2" Bottom

Soft Close Doors and Drawers

Adjustable Shelves

All stile and rail widths can be adjusted as necessary

Stile widths may vary per cabinet hinging and location



# FRENCH INSET

Standard Base and Tall Cabinet Depth: 24"

Standard Wall Cabinet Depth: 12"

Veneered Plywood Case: 1/2" Sides, 1/4" Back, 1/2" Bottom

1" Thick Face Frame

- Base: 1 1/2" Stiles & Rails (Plus profile width)
- Wall & Tall: 1 1/2" Stiles & Bottom Rail, 2 1/2" Top Rail (Plus profile width)

Dovetailed Solid Maple Drawer Box: 5/8" Sides, 1/2" Bottom, 21" Deep

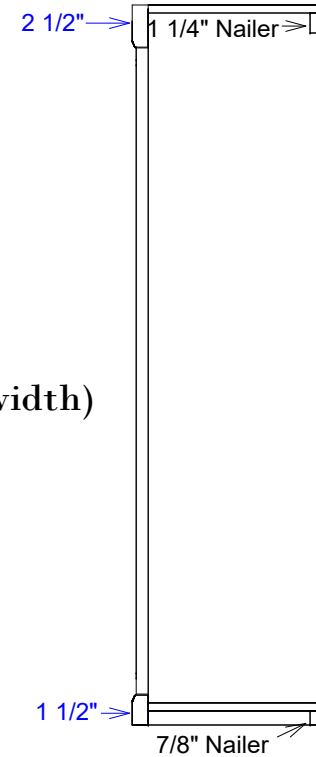
Soft Close Doors and Drawers

Adjustable Shelves

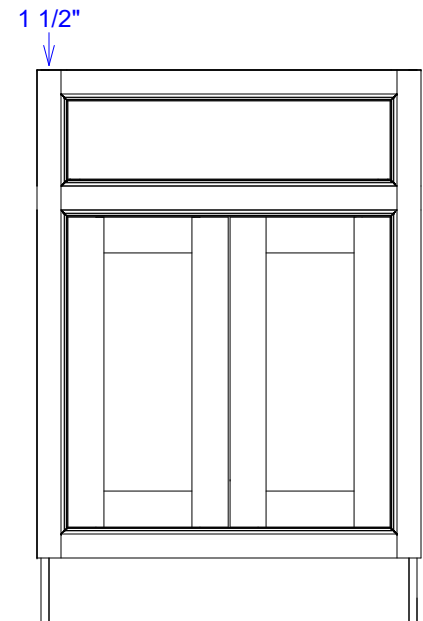
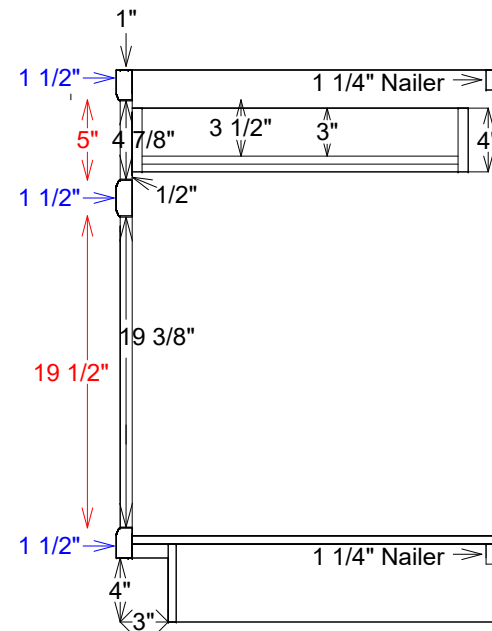
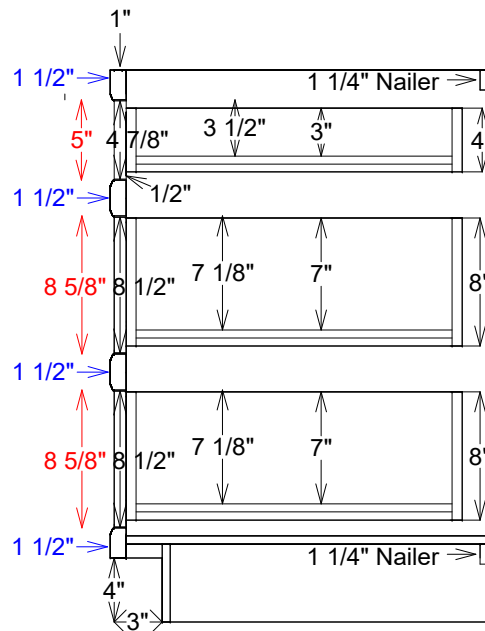
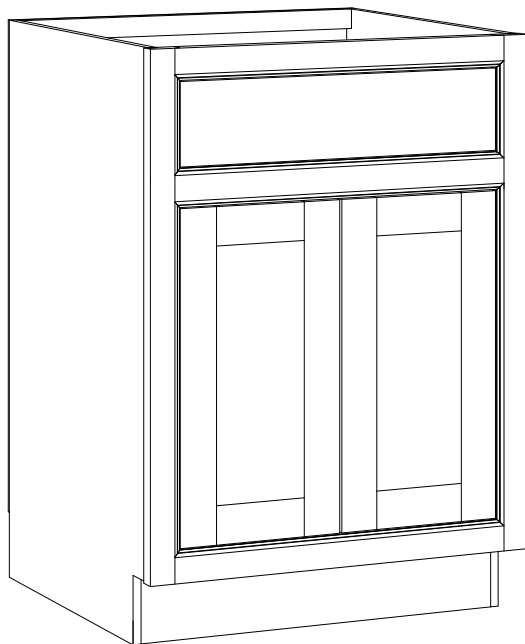
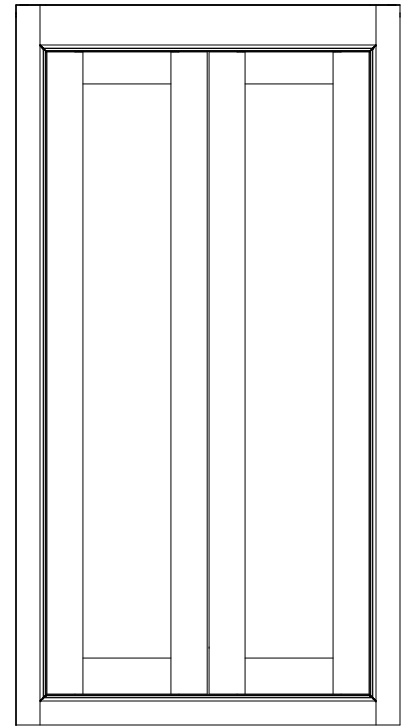
All stile and rail widths can be adjusted as necessary

Stile widths may vary per cabinet hinging and location

Opening sizes will vary based on frame profile selection



(Openings) (Reveals)



# FRAMELESS

Standard Base and Tall Cabinet Depth: 24"

Standard Wall Cabinet Depth: 12"

Veneered Plywood Case: 3/4" Sides, Top, & Bottom, 1/4" Back

Dovetailed Solid Maple Drawer Box: 5/8" Sides, 1/2" Bottom

Soft Close Doors and Drawers

All stile and rail widths can be adjusted as necessary

Stile widths may vary per cabinet hinging and location

(Openings) (Reveals)

